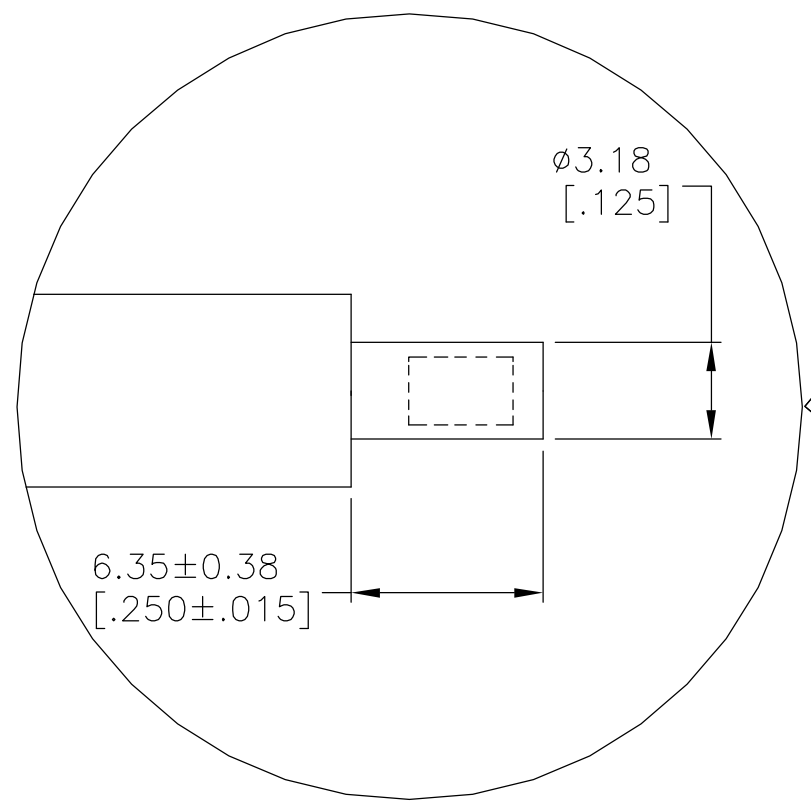
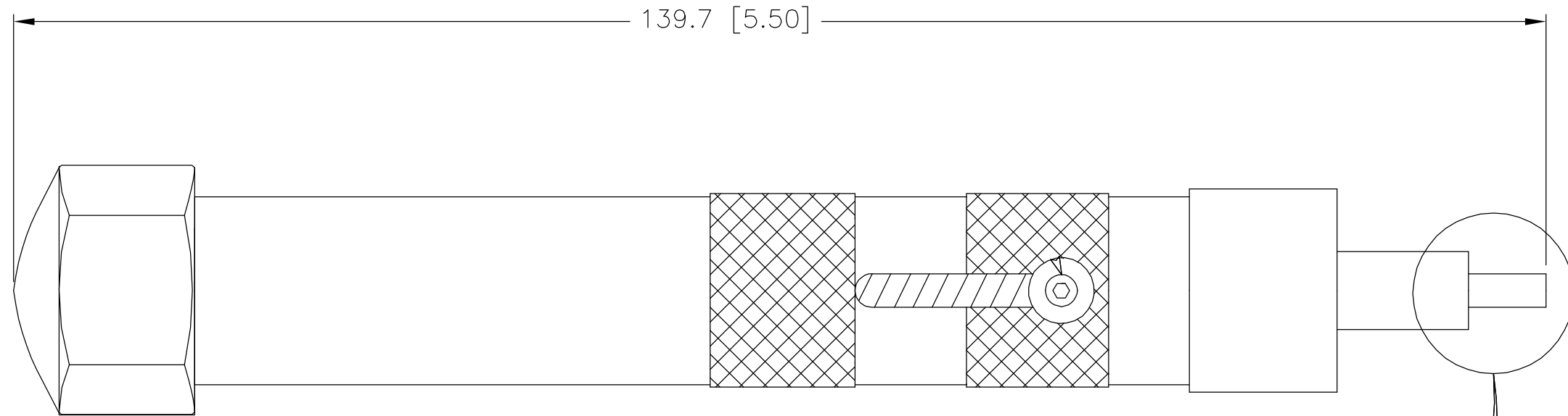


THIS DRAWING IS UNPUBLISHED. RELEASED FOR PUBLICATION
 © COPYRIGHT BY TYCO ELECTRONICS CORPORATION. ALL RIGHTS RESERVED.

LOC	DIST	REVISIONS					
CM	00	P	LTR	DESCRIPTION	DATE	DWN	APVD
			0	REVISED PER 0G3B-0079-05	03MAR06	KW	SR



1586700-1
 PART NO

SCALE 4:1

METRIC

THIS DRAWING IS A CONTROLLED DOCUMENT.		DWN K. WHITAKER 03MAR2006	Tyco Electronics Corporation Harrisburg, PA 17105-3608	
DIMENSIONS: mm [INCHES]	TOLERANCES UNLESS OTHERWISE SPECIFIED:	CHK S. RIDGILL 03MAR2003	NAME CONTACT RETENTION TOOL	
	0 PLC ± -	APVD S. RIDGILL 03MAR2003	PRODUCT SPEC	
	1 PLC ± -		APPLICATION SPEC	
	2 PLC ± -		SIZE	CAGE CODE
	3 PLC ± .005		A3	00779
	4 PLC ± -		DRAWING NO	C-1586700
	ANGLES ± 0°30'		RESTRICTED TO	-
MATERIAL	FINISH	WEIGHT	CUSTOMER DRAWING	
-	-	-	SCALE	2:1
			SHEET	1 OF 1
			REV	0